

FIG. 1
PRIOR ART

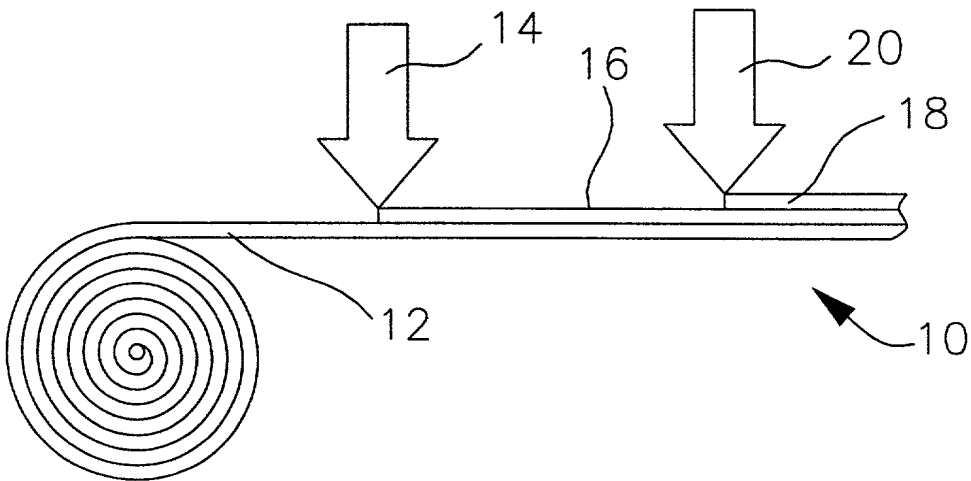


FIG. 1 is a schematic diagram of a prior art process for processing a roll of material. The roll of material 12 is processed by rollers 14 and 20 to produce a flat sheet 16 with a layer 18. The sheet 16 moves in the direction of arrow 10.

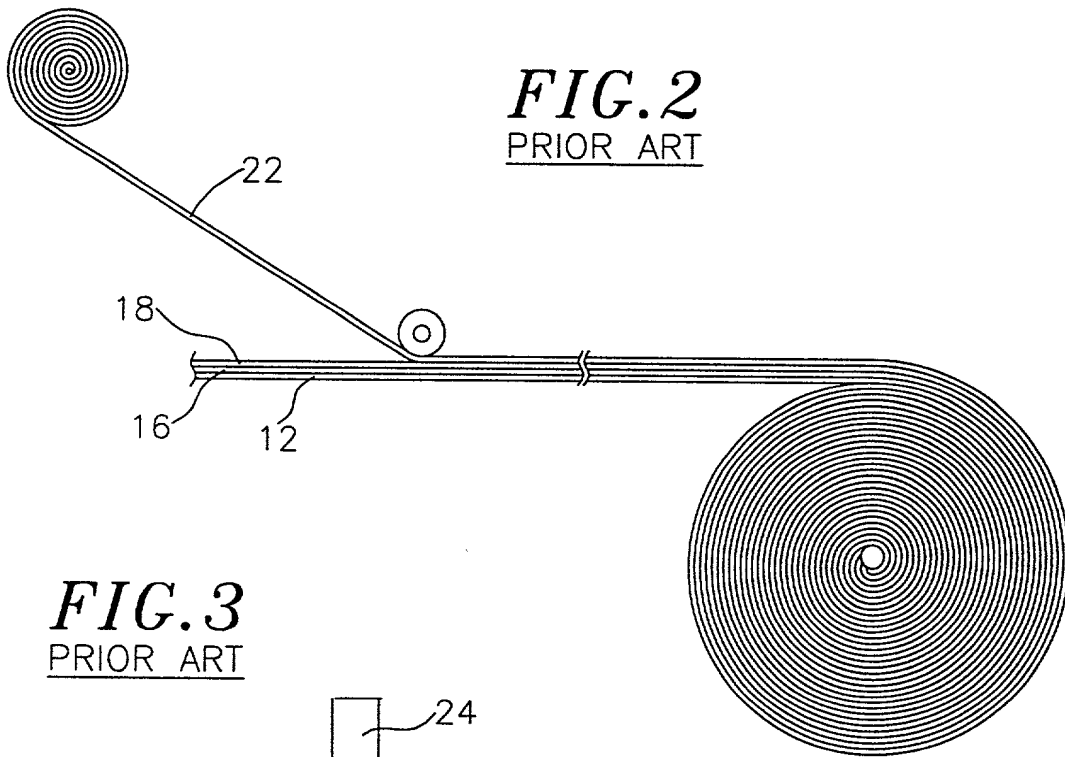
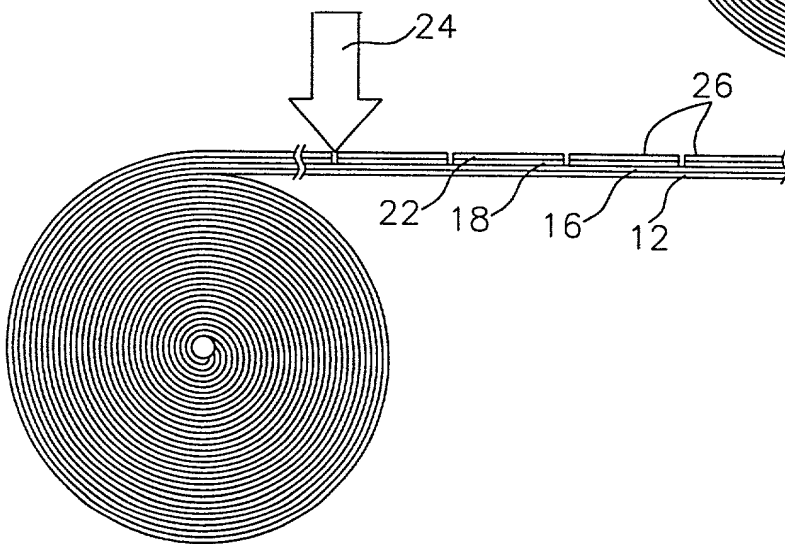


FIG. 3
PRIOR ART



This drawing is a schematic representation of a mechanical assembly. It shows a horizontal shaft (12) with a pulley (18) mounted on it. A cable (16) is attached to the shaft. A lever arm (22) is pivoted to the shaft at the pulley. One end of the lever arm is connected to a small coil, and the other end is connected to a large coil.

FIG. 4

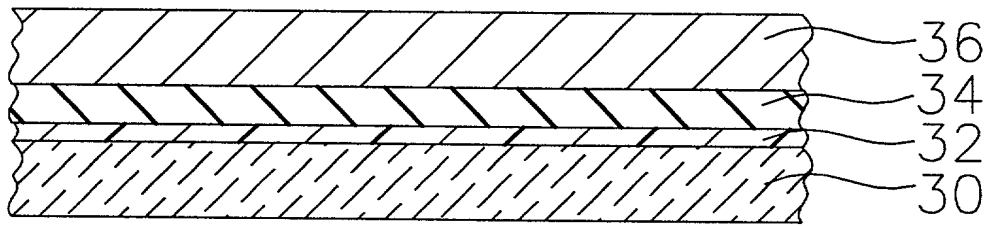
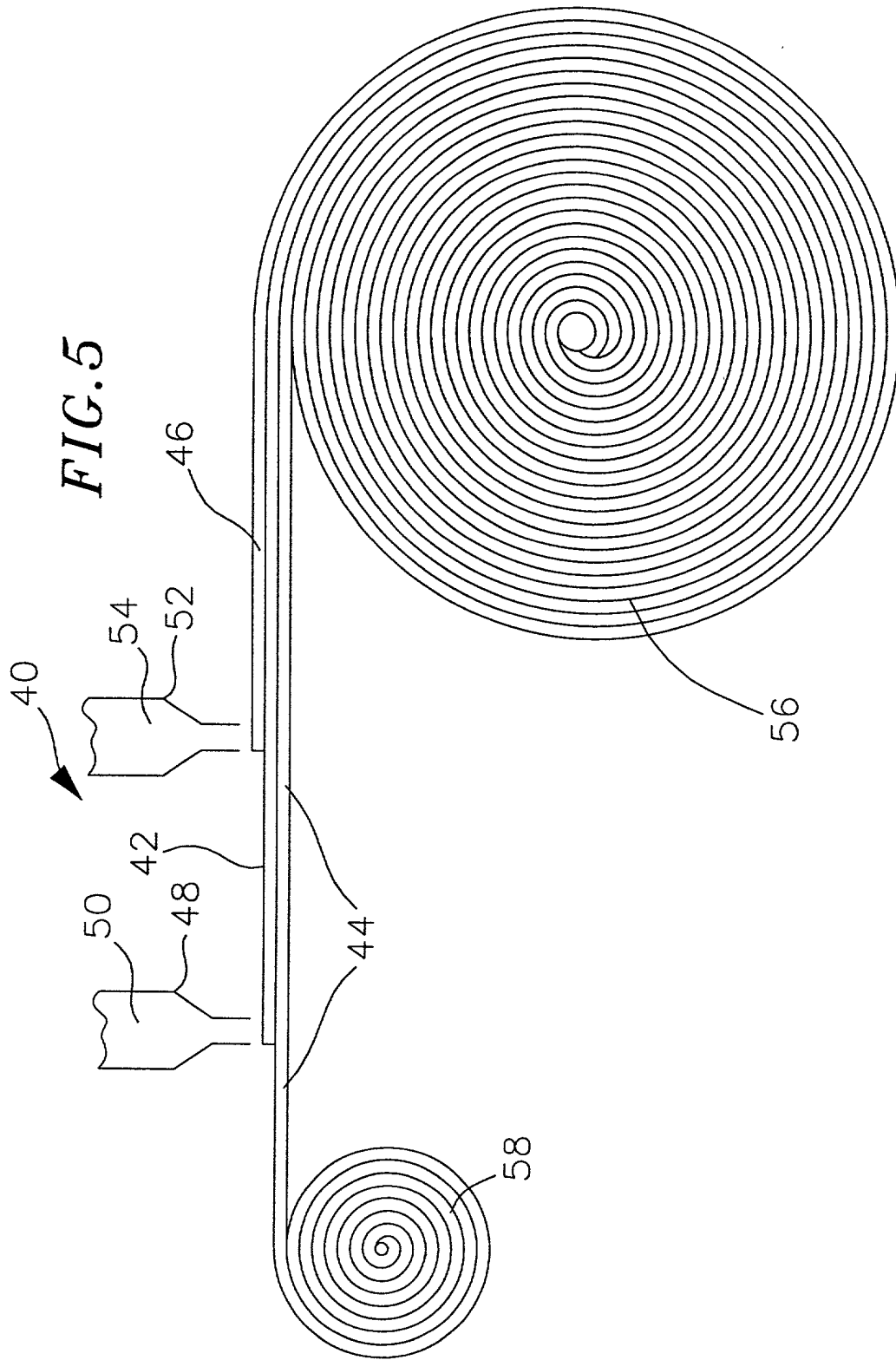


FIG. 4 is a cross-sectional view of a multi-layered material. The material consists of a top layer (36) with diagonal hatching, a thin middle layer (34), a bottom layer (32) with diagonal hatching, and a substrate (30) with diagonal hatching. The layers are stacked vertically.



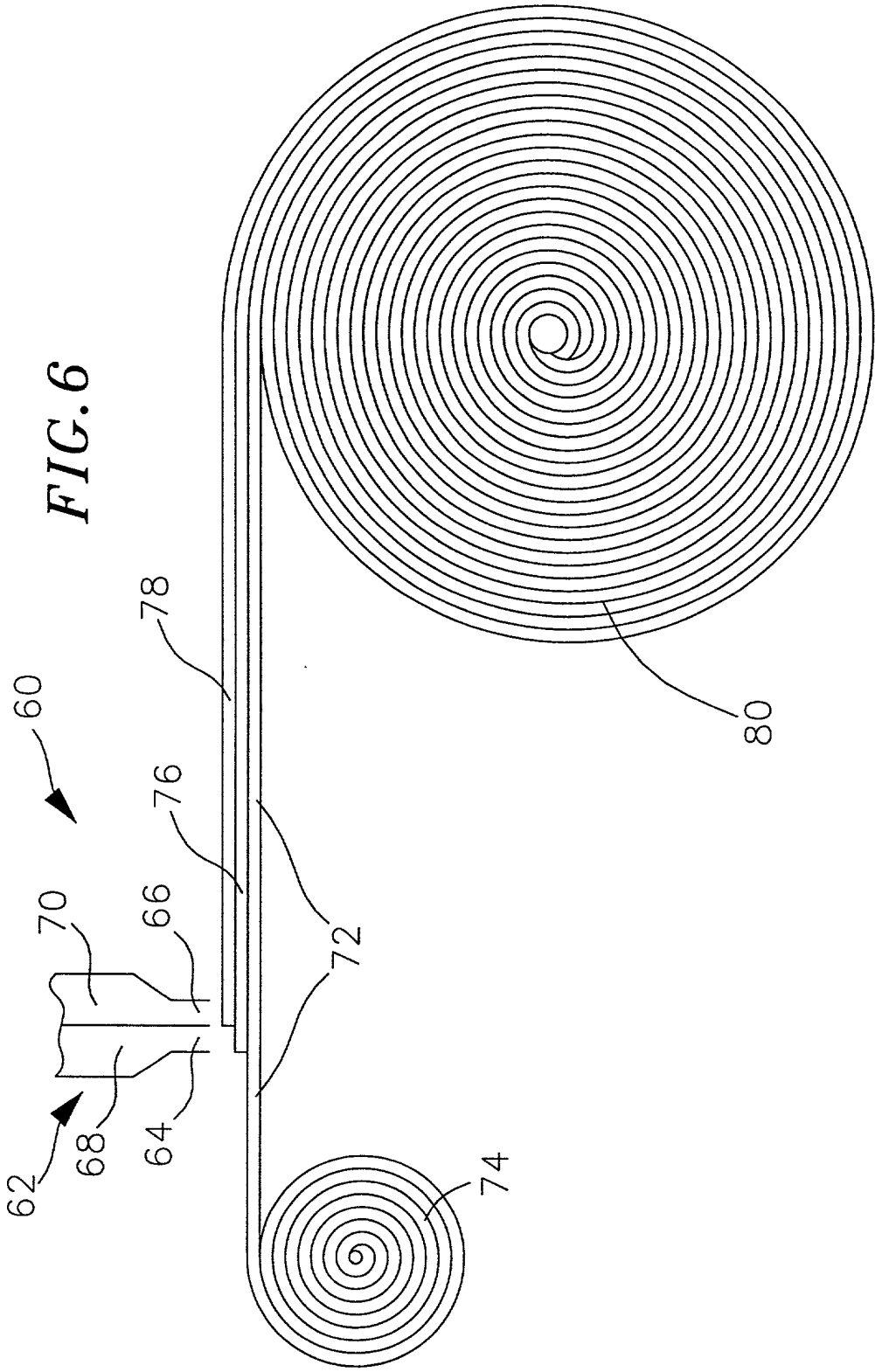


FIG. 8

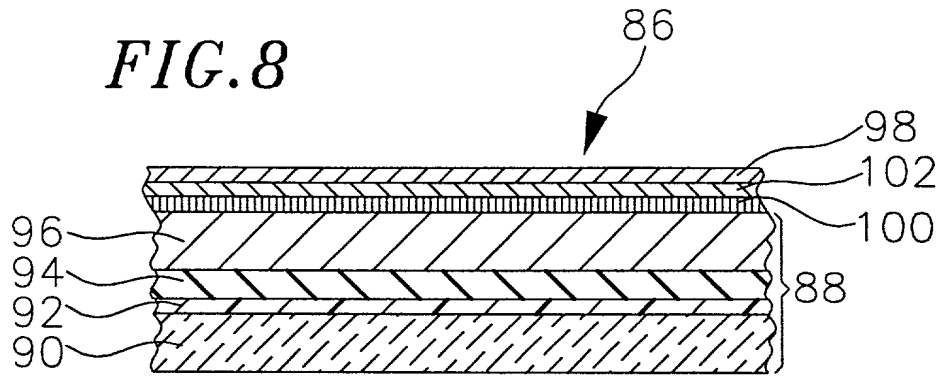


FIG. 9

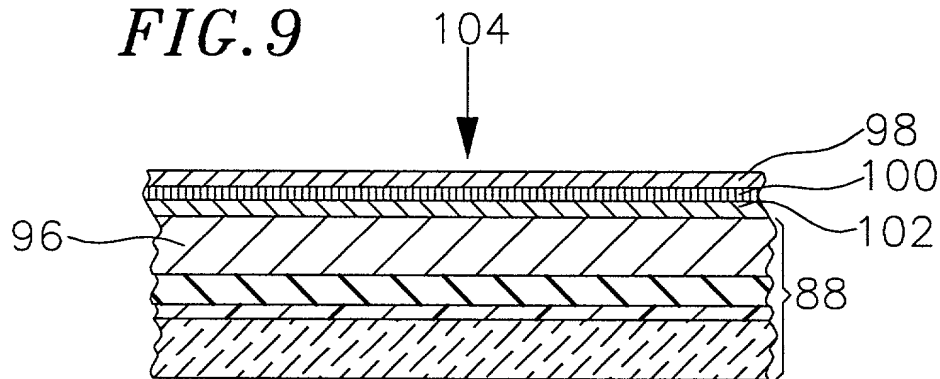


FIG. 10

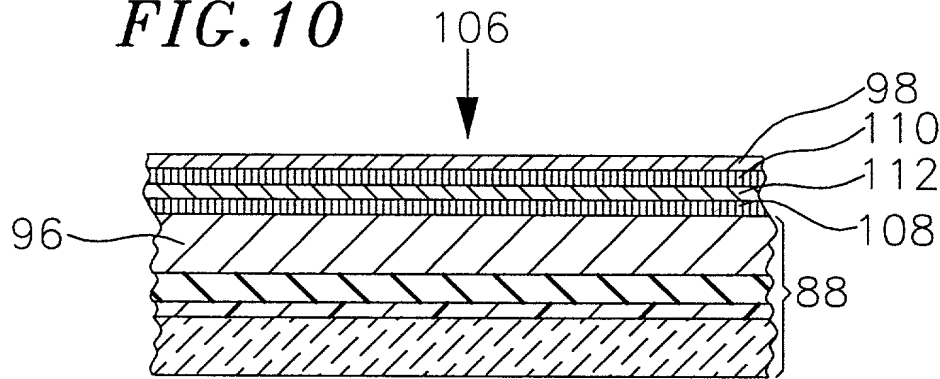


FIG. 11

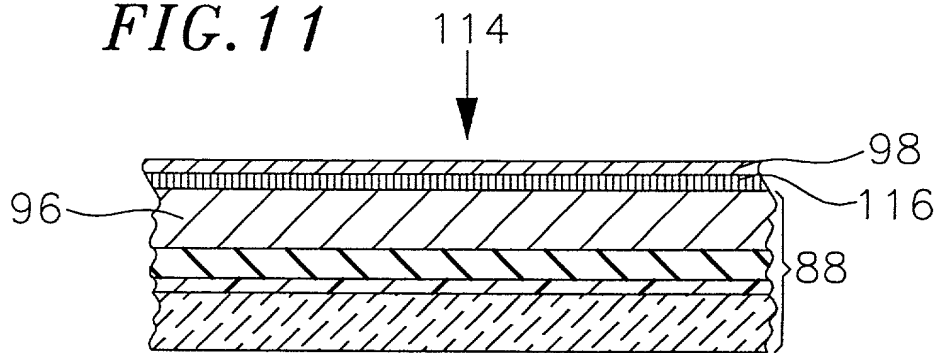
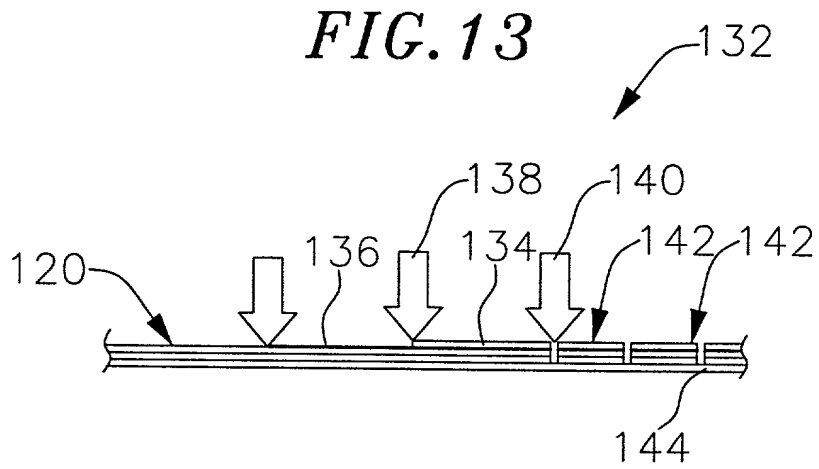
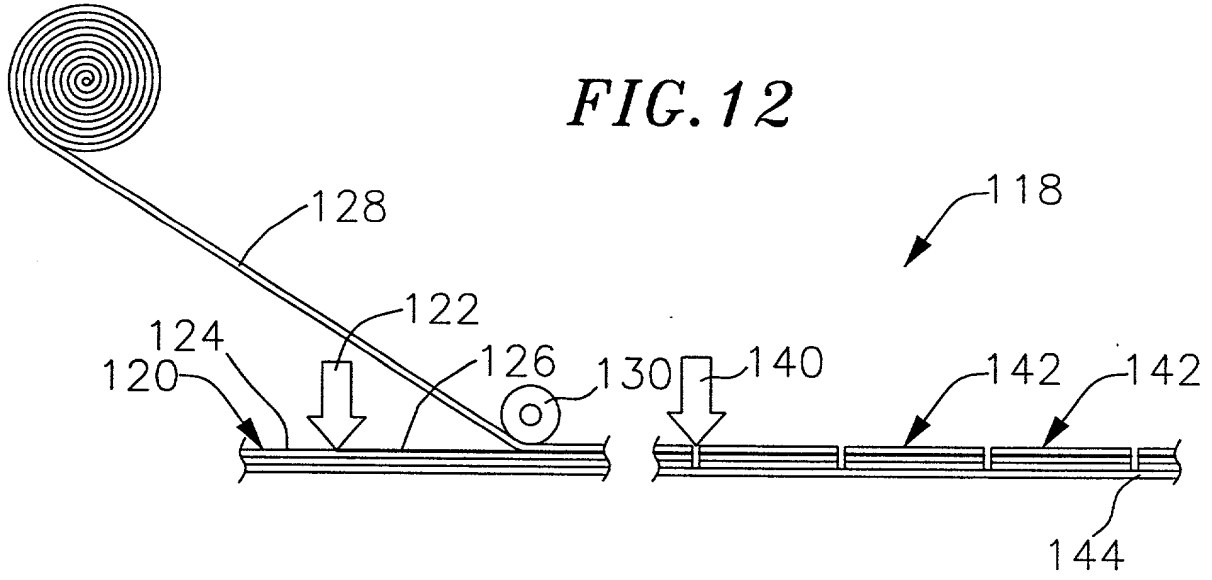


FIG. 8
FIG. 9
FIG. 10
FIG. 11



This drawing is not to scale. The dimensions and proportions are for illustrative purposes only. The actual dimensions and proportions of the components may vary.